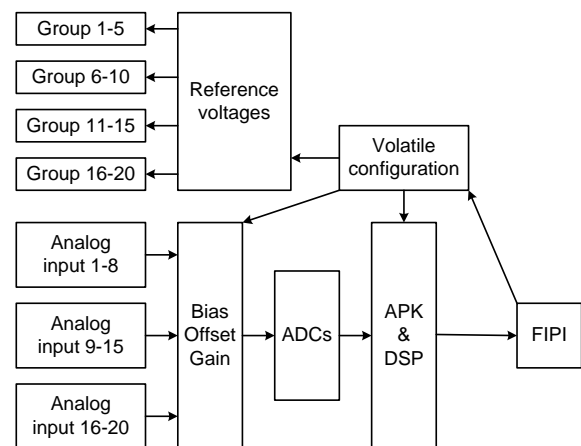
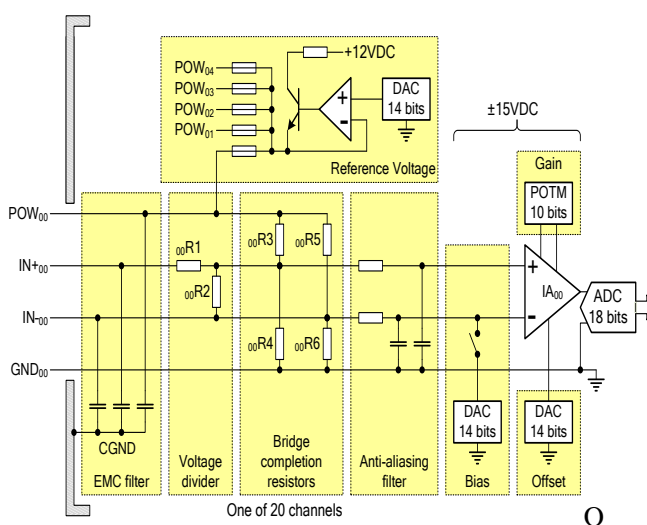


EDDAS 2.0 – E5310 Analog modul

5310 Analog modul



Characteristics:

- Rugged design for harsh environment
- 20 physical analog input sensor channels
- Sampling frequency: 128ksps
- Sampling resolution: 16bits
- SW programmable Gain, Bias, offset, filter frequency, resolution and reference voltage.
- Controlled and data processed by E5302 Bridge.
- Ethernet packets with IENA output format from bridge.
- Operation temp.: -40°C to +85°C

Functionality

- 2 virtual channels per physical channel.
Total 60 channels
- Supports different decimation rates on all 60 channels
- Simultaneous sampling of all 20 physical channels on one board, and synchronization <1us for sampling on all analog boards in an EDDAS system
- Multiple measurement programs supported. Change on time or events.
- Support different types of input sensors
- Configuration by E5319 ECM
- Module health diagnostic configurable in real time and by IBIT test in E5319 ECM