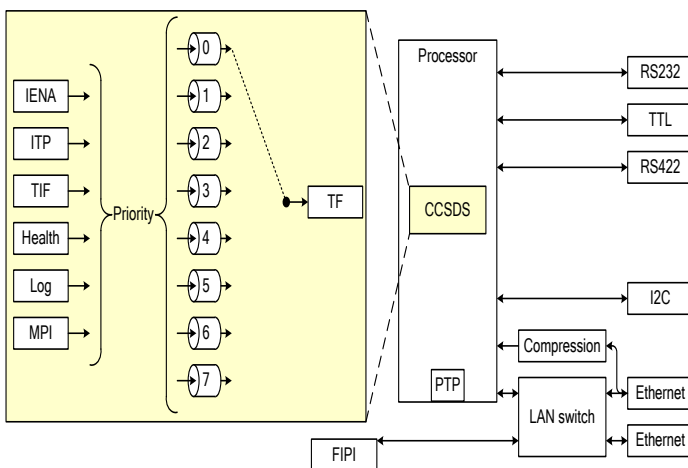


EDDAS 2.0 – E5304 TM Module

5304 TM module



Characteristics:

- Rugged design for harsh environment
- Support CCSDS SP & TF output format
- Clock, NRZ-L and code outputs.
- Two Ethernet streaming data ports.
- Isolated outputs.
- Programmable serial data output: 0- 8Mbit/s
- Operation temp.: -40°C to +85°C
- Support IEEE1588 v1 PTP
- External clock synchronization interface

Functionality

- CCSDS SP streaming on Ethernet.
- CCSDS SP embedded in CCSDS TF and transmitted analog pre-modulated or with RS422 to transmitter.
- Optional Encryption unit (E5354 ECU) to be placed after TM unit with Ethernet streaming connection.
- Data prioritizing on each data type and individual analog channels.
- Multiple measurement programs supported. Change on time events.
- SW control of selected transmitters.
- Configuration by E5319 ECM
- Module health diagnostic configurable in real time and by IBIT test in E5319 ECM